

ASRA TECH: YOUR PARTNER FOR INNOVATION AND GROWTH

PORTFOLIO 2024 - 25



- Since 2019 -



CONTENTS

About Us.....	4
Industries We Serve.....	4
Our Core Services	6
1. Engineering Services	6
Aerospace and Defence:	6
Energy:	6
Healthcare and Life Sciences:	7
Mining and Natural Resources:	7
Oil and Gas:	7
Automotive:	8
Sustainable Environment:.....	8
Industry Innovation:	9
2. IT Services	9
Custom App Development:.....	9
Web Development:.....	10
ERP and Management Software:	10
SQL Database Management:	10
Domain and Project Migration:.....	11
Cloud Solutions and Infrastructure Management:.....	11
Cybersecurity and Data Protection:.....	11
IT Consultancy and Support:	12
3. Professional Training	12
Engineering Courses:	12
Computational Fluid Dynamics (CFD) Training:.....	13
Finite Element Analysis (FEA) Training:	13
Flight Simulator Design:.....	13
Quadcopter Control Design and Simulation:.....	14
Programming Training:.....	14
Hands-on Software Training:.....	14



Why Choose AsRa Tech?	15
Innovation:	15
Client-Centric Approach:	15
Expertise:	15
Sustainability:	15
Our Competitive Edge	16
Get in Touch with Us.....	16

```
<html>
<head>
  <meta charset="utf-8">
  <meta http-equiv="X-UA-Compatible" content="IE=edge">
  <title></title>
  <meta name="description" content="">
  <meta name="viewport" content="width=device-width, height=device-height, initial-scale=1">
  <link rel="stylesheet" href="">
  <style>
    .lead {
      padding: 10px;
      margin: 10px;
      background-color: rgb(155, 155, 155);
    }
  </style>
</head>
<body>
  <h1>List of all leads in database</h1>
  {% for lead in leads %}
    <div class="lead">
```



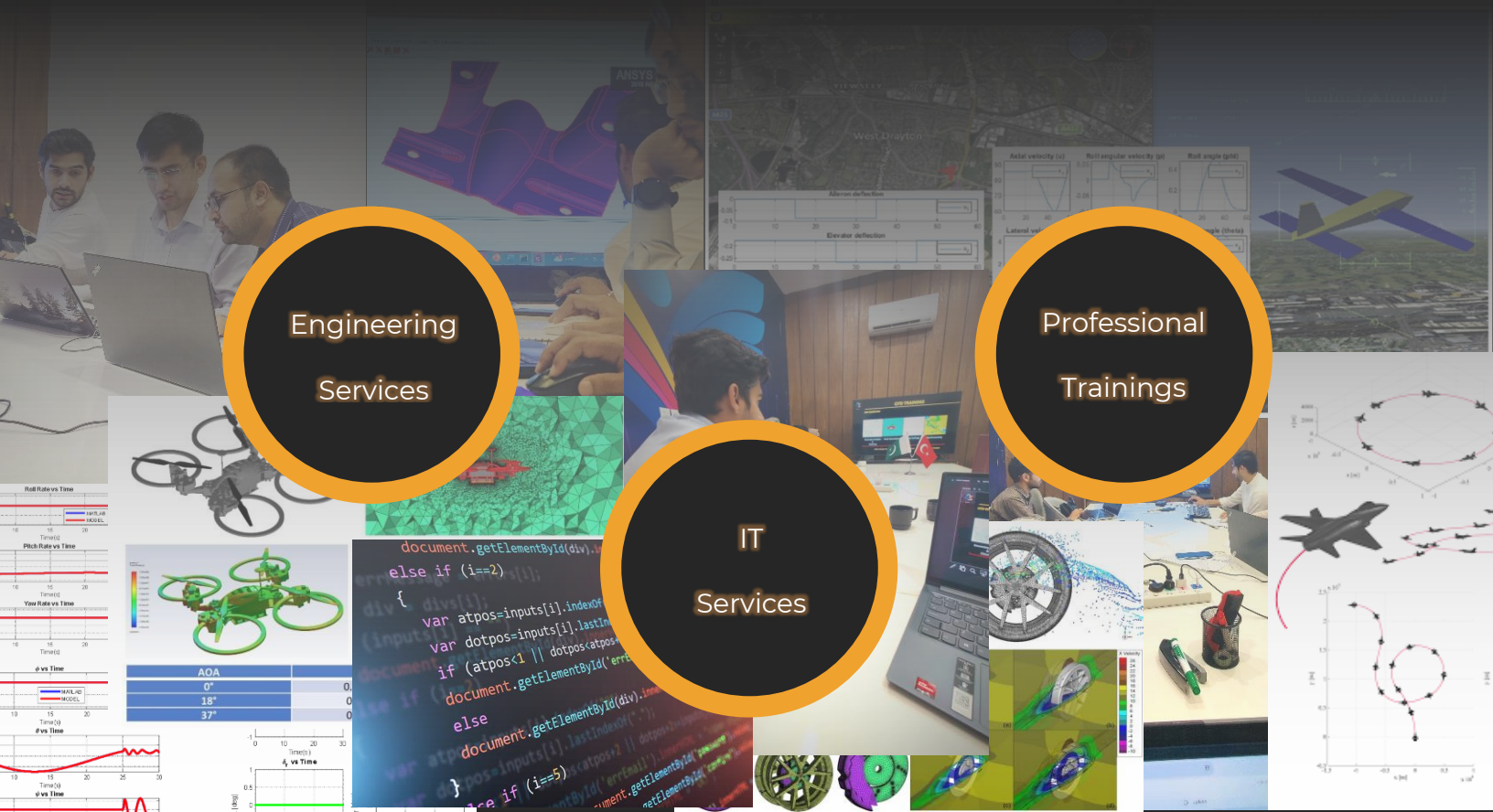
ABOUT US

At AsRa Tech, we provide innovative, efficient, and sustainable solutions that drive growth and optimize performance across a wide range of industries. With a focus on Engineering, Information Technology (IT), and Professional Training, we empower businesses to achieve their strategic goals through the application of cutting-edge technology and expertise.

Our Engineering services encompass advanced Computational Fluid Dynamics (CFD), Finite Element Method (FEM), Simulink modelling, Controls, Heat Transfer Analysis, and emissions analysis. These capabilities are applied across sectors like sustainable construction, eco-friendly agriculture, and energy optimization. Additionally, we target industries such as oil and gas with CFD applications to enhance fluid dynamics, emissions reduction, and heat transfer efficiency. We also explore emerging technologies like drones in agriculture, providing precision monitoring and resource management solutions.

In commercial applications, we specialize in sustainable architecture, low-impact building designs, and renewable energy systems integration. Our expertise in electrical systems installation ensures energy-efficient operations, and we actively contribute to green infrastructure development, climate-resilient farming, and water-efficient technologies.

Serving clients from small enterprises to large corporations, AsRa Tech offers customized solutions that streamline operations, minimize environmental impact, and promote resource-efficient engineering practices. Our goal is to meet the growing demands for sustainability while driving innovation across industries.



Engineering
Services

Professional
Trainings

IT
Services



INDUSTRIES WE SERVE

1

- AEROSPACE & DEFENCE

2

- ENERGY

3

- HEALTHCARE & LIFE SCIENCES

4

- MINING & NATURAL RESOURCES

5

- OIL & GAS

6

- PUBLIC SECTOR

7

- AUTOMOTIVE

8

- SUSTAINABLE ENVIRONMENT



OUR CORE SERVICES

1. Engineering Services

We are at the forefront of technological innovation, offering specialized engineering solutions that drive efficiency, sustainability, and growth across diverse industries. Our commitment is to deliver services that not only meet but exceed industry standards, helping clients achieve their strategic goals while fostering innovation and environmental stewardship.

AEROSPACE AND DEFENCE:

With years of experience in aerospace engineering, we provide high-performance solutions that enhance the safety, reliability, and efficiency of aerospace systems. Our services include design, testing, and maintenance of both linear and nonlinear models, backed by



advanced computational tools such as Computational Fluid Dynamics (CFD) and Finite Element Method (FEM). We support the defence sector with cutting-edge technologies that meet stringent regulatory requirements, ensuring superior system performance in critical missions. Additionally, we are also spearheading flight simulations for software-in-the-loop analysis for pre-flight checks.

ENERGY:



Our deep expertise in energy systems focuses on delivering sustainable, efficient, and environmentally responsible solutions. Whether working with renewable energy sources or optimizing traditional power generation, we help companies reduce emissions, improve energy efficiency, and integrate smart energy management systems. From optimizing electrical system installations to carbon emissions



analysis, we play a key role in transforming the energy landscape toward greener, more resilient infrastructures.

HEALTHCARE AND LIFE SCIENCES:

We support the healthcare and biotechnology sectors by providing engineering services that accelerate the development of innovative medical devices, healthcare systems, and biotechnology applications. Our solutions meet rigorous regulatory standards, ensuring both safety and efficacy. Through advanced modelling and control systems, we help enhance the precision, reliability, and effectiveness of medical technologies and life-saving equipment.



MINING AND NATURAL RESOURCES:



We bring operational efficiency and safety improvements to the mining and natural resources sectors. Our solutions range from the early stages of exploration to production, with a focus on optimizing workflows, enhancing safety protocols, and reducing the environmental impact of operations. Leveraging technologies like CFD, FEM, and emissions monitoring, we help companies meet both

production goals and regulatory requirements while minimizing their carbon footprint.

OIL AND GAS:

AsRa Tech provides comprehensive engineering services across the entire oil and gas value chain, from exploration and drilling to refining and distribution. We offer advanced CFD analysis to optimize fluid dynamics and thermal processes, helping companies maximize efficiency, reduce waste, and improve safety. Our work also includes





emissions analysis and sustainability-focused initiatives, aligning traditional energy sectors with the growing need for environmental responsibility.

AUTOMOTIVE:



Our expertise in automotive engineering supports the entire lifecycle of vehicle development, from design to testing and optimization. We work with leading automotive companies to create energy-efficient, high-performance vehicles that meet both industry standards and consumer demands. Whether it's through advanced

material analysis, thermal management systems, or emissions reduction, we help drive innovation in automotive design and production.

SUSTAINABLE ENVIRONMENT:

At AsRa Tech, we are deeply committed to promoting sustainability and environmental conservation. Our work in green technologies includes developing eco-conscious building designs, integrating renewable energy systems, and optimizing energy use in commercial and residential structures. We also focus on waste management, emissions analysis, and resource-efficient engineering, ensuring that our solutions contribute to a healthier planet. Our capabilities in precision agriculture, such as drones for monitoring crop health, further enhance sustainable agricultural practices.





INDUSTRY INNOVATION:



We also explore and integrate emerging technologies to drive efficiency and innovation across industries. Whether through precision agriculture using drones or smart city solutions leveraging renewable energy systems, our cross-sector expertise ensures that we remain a trusted partner in implementing forward-thinking strategies.

2. IT Services

In today's fast-paced digital landscape, we provide cutting-edge technology solutions that drive business transformation, operational excellence, and competitive advantage. Our comprehensive IT services are designed to help businesses navigate the complexities of the digital world by leveraging the latest technologies, fostering innovation, and enhancing efficiency.

CUSTOM APP DEVELOPMENT:

We specialize in developing custom mobile and web applications that are not only user-friendly but also highly scalable to meet the growing demands of your business. Our team focuses on creating seamless user experiences, combining functionality with intuitive design. Whether you need a business app, e-commerce platform, or internal tool, our development process ensures that your solution is optimized for performance, security, and scalability.





WEB DEVELOPMENT:



With expertise in web development, we create visually appealing, responsive, and high-performance websites that enhance your business's online presence. Our web solutions are designed to deliver a superior user experience across devices, ensuring fast load times, robust functionality, and SEO-

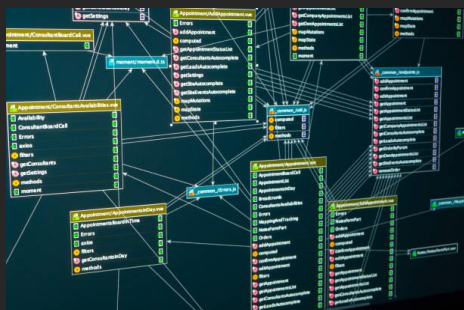
friendly architecture. We also integrate cutting-edge technologies like content management systems (CMS), e-commerce platforms, and interactive features to boost engagement and customer satisfaction.

ERP AND MANAGEMENT SOFTWARE:

We provide Enterprise Resource Planning (ERP) solutions and management software tailored to streamline your business processes. Our ERP systems help improve decision-making, productivity, and resource management by centralizing critical business operations—from finance and HR to supply chain management. With our custom-built solutions, businesses gain real-time insights, improve collaboration, and automate routine tasks, driving efficiency across departments.



SQL DATABASE MANAGEMENT:



Efficient data management is key to maintaining business operations, and our expertise in SQL database design, optimization, and management ensures that your data is securely stored and easily accessible. We offer services that include database architecture design, performance tuning, query optimization, and ongoing maintenance to ensure your data infrastructure is resilient and ready for scale.



Whether you're handling complex transactions or managing vast amounts of data, we ensure the integrity, speed, and security of your database systems.

DOMAIN AND PROJECT MIGRATION:

Migrating domains and projects can be a complex and challenging task, but our experts ensure a seamless transition with minimal disruption to your business operations. We provide comprehensive migration services that include strategy development, data backup, testing, and execution, ensuring that your domains, applications, and services are



efficiently transferred from one hosting platform or environment to another. Our focus is on maintaining data integrity, minimizing downtime, and enhancing performance post-migration.

CLOUD SOLUTIONS AND INFRASTRUCTURE MANAGEMENT:



In addition to the above services, we help businesses leverage cloud technologies to optimize their IT infrastructure. Our cloud solutions include cloud migration, infrastructure setup, and ongoing management, allowing businesses to scale efficiently, reduce costs, and ensure robust security. We also integrate cloud-based services into your existing infrastructure to improve collaboration, accessibility, and data storage.

CYBERSECURITY AND DATA PROTECTION:

With the increasing importance of cybersecurity, we offer tailored solutions to protect your business from digital threats. Our services include threat analysis, firewall configuration, data encryption, and regular security audits to ensure that your systems remain secure. We





prioritize data privacy and compliance with industry standards, helping businesses mitigate risks and respond to security challenges effectively.

IT CONSULTANCY AND SUPPORT:



At AsRa Tech, we provide expert IT consultancy services to help businesses plan, implement, and optimize their technology strategies. Whether you are looking to adopt new technologies, improve your existing systems, or enhance your digital

transformation journey, our consultants offer guidance and hands-on support to achieve your business goals. We also provide ongoing technical support and maintenance services to ensure your IT infrastructure continues to operate smoothly and efficiently.

3. Professional Training

We are dedicated to empowering professionals with the skills and knowledge they need to excel in their careers through comprehensive and cutting-edge training programs. Our offerings are designed to provide industry-leading expertise and hands-on experience with the latest tools and technologies.

ENGINEERING COURSES:

Our specialized courses cover a wide range of engineering disciplines, including aerospace, mechanical, civil, and electrical engineering. Participants gain in-depth technical knowledge and stay updated with the latest advancements, equipping them to tackle complex challenges and advance their careers.





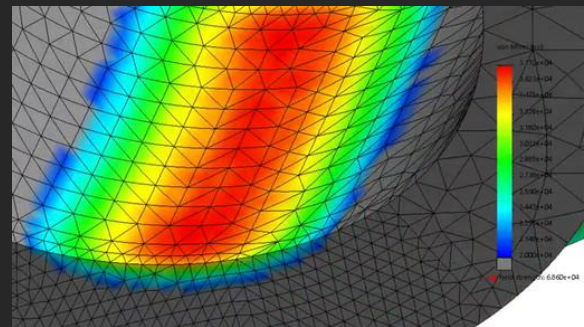
COMPUTATIONAL FLUID DYNAMICS (CFD) TRAINING:



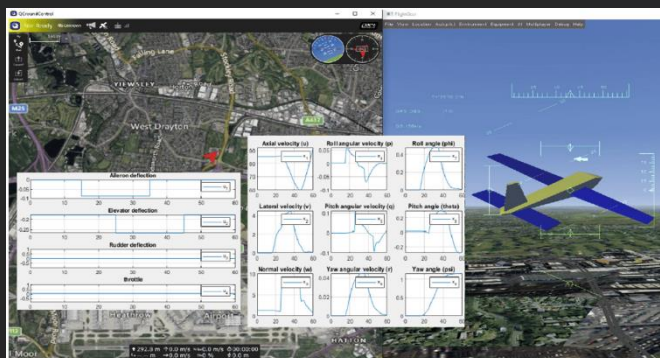
We offer both basic and advanced CFD training, providing a thorough understanding of fluid dynamics simulations. Our programs cover key concepts, methodologies, and practical applications, enabling professionals to effectively analyze and optimize fluid flow in various engineering contexts.

FINITE ELEMENT ANALYSIS (FEA) TRAINING:

Our FEA courses range from basic to advanced levels, focusing on the principles and applications of structural analysis and simulation. Participants learn how to model and analyze complex structures, evaluate performance, and apply FEA techniques to real-world engineering problems.



FLIGHT SIMULATOR DESIGN:

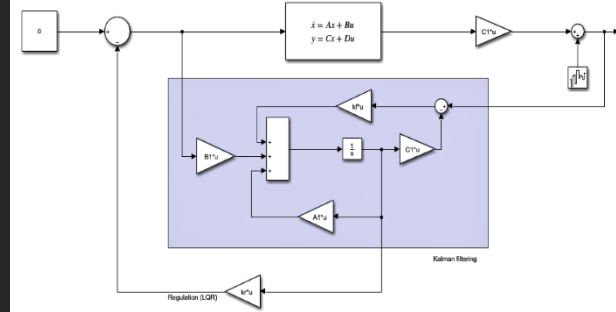


We provide training in Flight Simulator Design, including both 3DoF and 6DoF simulations. Participants learn to design, implement, and refine flight simulation systems, gaining hands-on experience with dynamic modeling and control systems crucial for aerospace applications.



QUADCOPTER CONTROL DESIGN AND SIMULATION:

Our programs cover the design and simulation of quadcopter control systems, offering practical insights into drone technology and autonomous flight. Participants gain skills in control algorithms, simulation tools, and performance evaluation for effective quadcopter development.



PROGRAMMING TRAINING:



We offer training in essential programming languages such as Python and C++, tailored for engineering and technical applications. Our courses focus on developing programming skills relevant to data analysis, algorithm development, and software solutions in engineering contexts.

HANDS-ON SOFTWARE TRAINING:

In addition to our specialized courses, we provide practical training with industry-standard engineering software, including MATLAB, ANSYS, and CATIA. Participants gain valuable hands-on experience with these tools, learning how to apply them to real-world engineering challenges and projects. Onsite location is in NASTP, Alpha Techno Square, with online option available too.



WHY CHOOSE ASRA TECH?

Innovation:

At ASRa Tech, we are at the forefront of technological advancement, constantly integrating the latest technologies and methodologies into our solutions. Our commitment to innovation ensures that we provide our clients with cutting-edge tools and strategies that not only address current challenges but also anticipate future needs. By embracing emerging trends and pioneering technologies, we empower our clients to gain a competitive edge and achieve superior performance in their respective markets.

Client-Centric Approach:

We prioritize a client-centric approach, working closely with each client to thoroughly understand their unique needs, goals, and challenges. Our process involves detailed consultations and collaborative planning to ensure that our solutions are precisely tailored to meet their specific requirements. By focusing on delivering customized solutions and maintaining open communication, we guarantee that our services produce measurable, impactful results and foster long-term partnerships built on trust and satisfaction.

Expertise:

Our team is composed of seasoned industry experts with extensive knowledge and experience across various sectors, including engineering and IT services. We leverage our deep expertise to provide high-quality solutions that address complex problems and drive progress. Our professionals stay updated with industry best practices and technological advancements, ensuring that we offer insights and services that are both innovative and effective. From aerospace and energy to healthcare and beyond, our diverse expertise enables us to tackle a wide range of projects with confidence and precision.

Sustainability:

We are deeply committed to promoting environmentally sustainable practices and advancing green technology solutions. Our approach integrates sustainability into every aspect of our work, from the design and development of energy-efficient systems to the implementation of eco-friendly practices in our operations. By prioritizing sustainability, we help our clients reduce their environmental impact while contributing to broader efforts to protect the planet. Our focus on green technology



not only benefits our clients through cost savings and efficiency but also supports global initiatives toward a more sustainable future.

OUR COMPETITIVE EDGE

At **AsRa Tech**, we stand out because of our unique blend of **technical expertise**, **innovative thinking**, and **commitment to quality**. Whether you are looking to optimize your operations, develop new products, or train your workforce, we have the **solutions and services** to help you achieve your goals.

GET IN TOUCH WITH US

We are eager to help you solve your business challenges with our expert **engineering** and **IT solutions**. For more information or to discuss how we can assist your business, contact us today:

- **Website:** www.asratech.com
- **Phone:** +92-325-5435977
- **Email:** info@asratech.com
- **Location:** Alpha-12, Alpha Techno Square, NASTP, Rawalpindi

